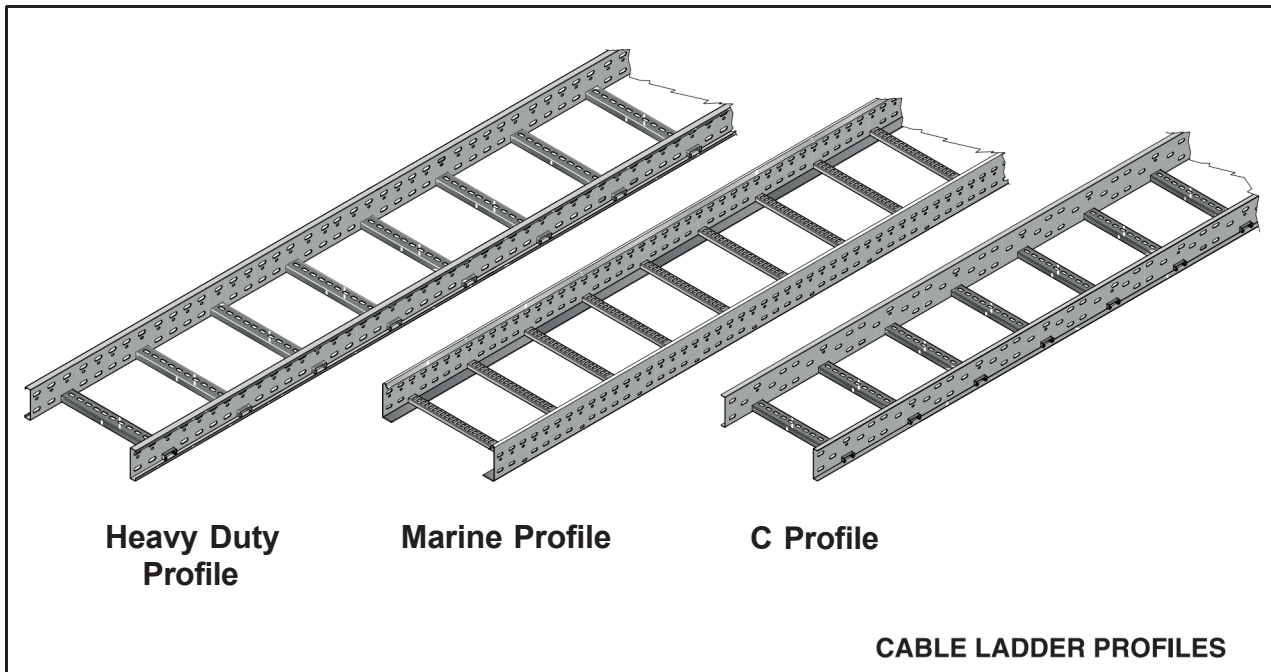


CHINNE-Ladder Cable Ladder System



Standard Widths: 100, 150, 225, 300, 450, 600, 750, 900, 1000-mm. Other widths are also available on request.

CHINNE Ladder is designed to give a maximum Cable Loading Capacity whilst retaining high strength. By utilizing high quality steel, Hot Rolled Steel to BS EN 10149-3:1996, Cold Rolled to BS EN 10130:2006 then Post Galvanizing to BS EN 1461 (formerly BS 729) ASTM-A123, we offer a high strength, competitively priced, corrosion protected Cable Ladder System for a variety of Industrial uses.

We have introduced new **Marine Profile & C Profile cable ladder system** which is light in weight, effective utilization of space and economical.

We also offer these Ladders in other metals such as Stainless Steel in Grades 304 or 316L, Aluminum and indifferent finishes viz. Epoxy Powder Coated and Wet Paint.

All fitting are offered at 300mm Radius as standard and others Radius available on request.

Standard rungs centers are 300mm, however other rung centers are also available on request.

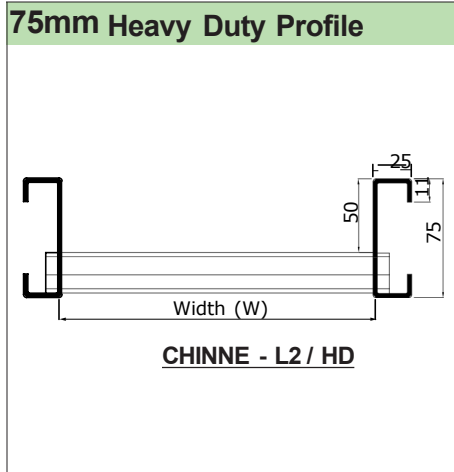
A wide range of Fittings and Accessories are also available to complement and complete the range.

Materials & Finishes

- Hot dip galvanized with using Hot Rolled Steel to BS 10149-3: 1996, Cold Rolled Steel to BSEN 10130:2006 then post galvanizing as per BS EN 1461 (Formerly BS729)ASTM-A123.
- Hot dip galvanized with using Hot Rolled Steel to BS 10149-3:1996, Cold Rolled Steel to BS EN10130:2006 then post galvanizing as per BSEN 1461 (Formerly BS 729) ASTM A123 with Epoxy Powder Coated Or 3 Coat Wet Paint System.
- Stainless Steel Sheet to ASTM A240 type 304, 316L.
- Aluminum Grade AA1100.

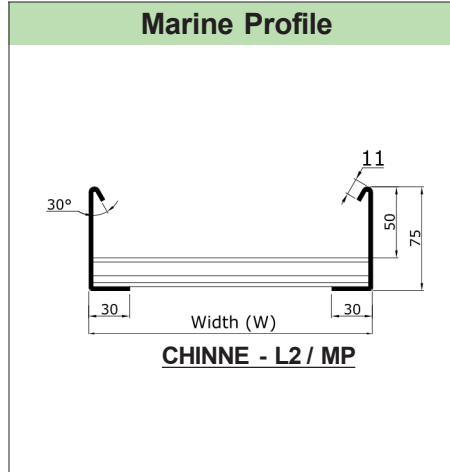
CHINNE-Ladder Cable Ladder System

CHINNE - L2 Ladder, Load Depth 50mm, Side Rail Height



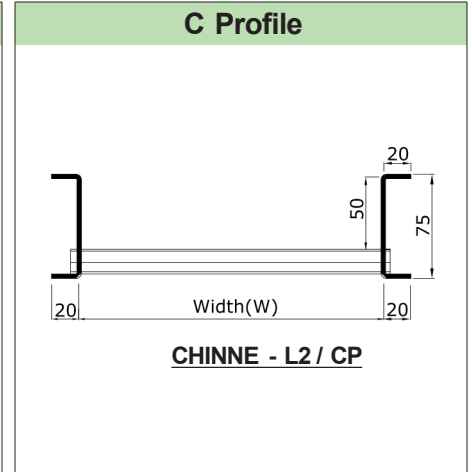
Product Code	Width mm	Length mm
L2-100/3/(T)/HG	100	3000
L2-150/3/(T)/HG	150	3000
L2-225/3/(T)/HG	225	3000
L2-300/3/(T)/HG	300	3000
L2-450/3/(T)/HG	450	3000
L2-600/3/(T)/HG	600	3000
L2-750/3/(T)/HG	750	3000
L2-900/3/(T)/HG	900	3000
L2-1000/3/(T)/HG	1000	3000

T= (Thickness), Standard Thickness 1.5 & 2.0mm



Product Code	Width mm	Length mm
L2-100/3/(T)/MHG	100	3000
L2-150/3/(T)/MHG	150	3000
L2-225/3/(T)/MHG	225	3000
L2-300/3/(T)/MHG	300	3000
L2-450/3/(T)/MHG	450	3000
L2-600/3/(T)/MHG	600	3000
L2-750/3/(T)/MHG	750	3000
L2-900/3/(T)/MHG	900	3000
L2-1000/3/(T)/MHG	1000	3000

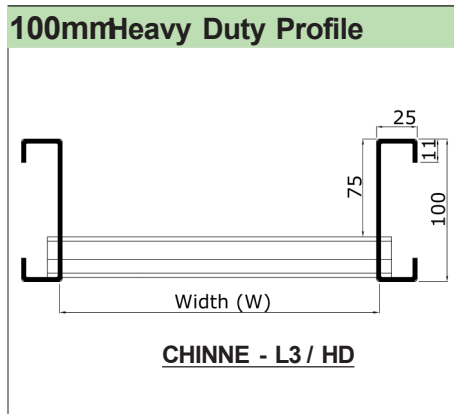
T= (Thickness), Standard Thickness 1.5 & 2.0mm



Product Code	Width mm	Length mm
L2-100/3/(T)/CHG	100	3000
L2-150/3/(T)/CHG	150	3000
L2-225/3/(T)/CHG	225	3000
L2-300/3/(T)/CHG	300	3000
L2-450/3/(T)/CHG	450	3000
L2-600/3/(T)/CHG	600	3000
L2-750/3/(T)/CHG	750	3000
L2-900/3/(T)/CHG	900	3000
L2-1000/3/(T)/CHG	1000	3000

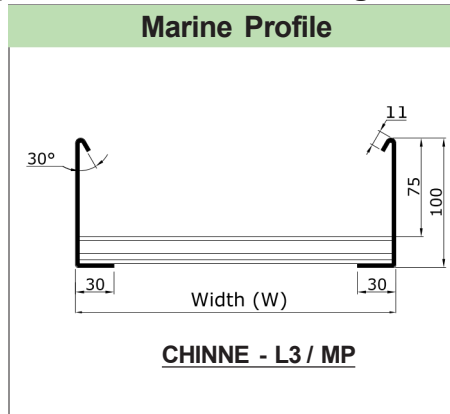
T= (Thickness), Standard Thickness 1.5 & 2.0mm

CHINNE - L3 Ladder, Load Depth 75mm, Side Rail Height



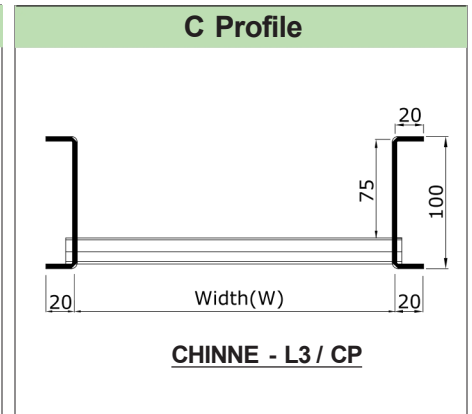
Product Code	Width mm	Length mm
L3-100/3/(T)/HG	100	3000
L3-150/3/(T)/HG	150	3000
L3-225/3/(T)/HG	225	3000
L3-300/3/(T)/HG	300	3000
L3-450/3/(T)/HG	450	3000
L3-600/3/(T)/HG	600	3000
L3-750/3/(T)/HG	750	3000
L3-900/3/(T)/HG	900	3000
L3-1000/3/(T)/HG	1000	3000

T= (Thickness), Standard Thickness 1.5 & 2.0mm
*Available in 6 mtr length on request.



Product Code	Width mm	Length mm
L3-100/3/(T)/MHG	100	3000
L3-150/3/(T)/MHG	150	3000
L3-225/3/(T)/MHG	225	3000
L3-300/3/(T)/MHG	300	3000
L3-450/3/(T)/MHG	450	3000
L3-600/3/(T)/MHG	600	3000
L3-750/3/(T)/MHG	750	3000
L3-900/3/(T)/MHG	900	3000
L3-1000/3/(T)/MHG	1000	3000

T= (Thickness), Standard Thickness 1.5 & 2.0mm



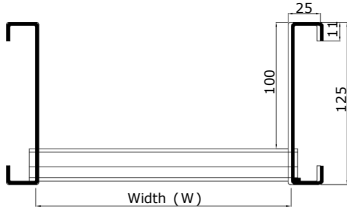
Product Code	Width mm	Length mm
L3-100/3/(T)/CHG	100	3000
L3-150/3/(T)/CHG	150	3000
L3-225/3/(T)/CHG	225	3000
L3-300/3/(T)/CHG	300	3000
L3-450/3/(T)/CHG	450	3000
L3-600/3/(T)/CHG	600	3000
L3-750/3/(T)/CHG	750	3000
L3-900/3/(T)/CHG	900	3000
L3-1000/3/(T)/CHG	1000	3000

T= (Thickness), Standard Thickness 1.5 & 2.0mm

CHINNE-Ladder Cable Ladder System

CHINNE - L4 Ladder, Load Depth 100mm, Side Rail Height

125mm Heavy Duty Profile

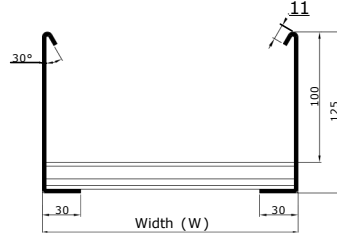


CHINNE - L4 / HD

Product Code	Width mm	Length mm
L4-100/3(T)/HG	100	3000
L4-150/3(T)/HG	150	3000
L4-225/3(T)/HG	225	3000
L4-300/3(T)/HG	300	3000
L4-450/3(T)/HG	450	3000
L4-600/3(T)/HG	600	3000
L4-750/3(T)/HG	750	3000
L4-900/3(T)/HG	900	3000
L4-1000/3(T)/HG	1000	3000

T= (Thickness), Standard Thickness 1.5 & 2.0mm
*Available in 6 mtr length on request.

Marine Profile

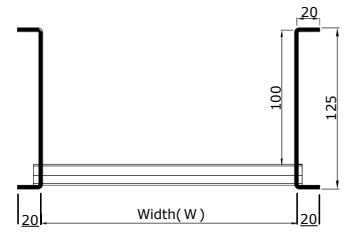


CHINNE - L4 / MP

Product Code	Width mm	Length mm
L4-100/3(T)/MHG	100	3000
L4-150/3(T)/MHG	150	3000
L4-225/3(T)/MHG	225	3000
L4-300/3(T)/MHG	300	3000
L4-450/3(T)/MHG	450	3000
L4-600/3(T)/MHG	600	3000
L4-750/3(T)/MHG	750	3000
L4-900/3(T)/MHG	900	3000
L4-1000/3(T)/MHG	1000	3000

T= (Thickness), Standard Thickness 1.5 & 2.0mm

C Profile



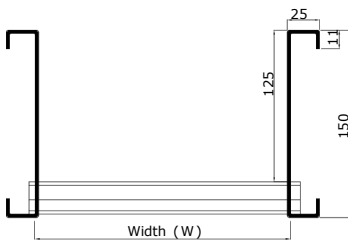
CHINNE - L4 / CP

Product Code	Width mm	Length mm
L4-100/3(T)/CHG	100	3000
L4-150/3(T)/CHG	150	3000
L4-225/3(T)/CHG	225	3000
L4-300/3(T)/CHG	300	3000
L4-450/3(T)/CHG	450	3000
L4-600/3(T)/CHG	600	3000
L4-750/3(T)/CHG	750	3000
L4-900/3(T)/CHG	900	3000
L4-1000/3(T)/CHG	1000	3000

T= (Thickness), Standard Thickness 1.5 & 2.0mm

EMI - L5 Ladder, Load Depth 125mm, Side Rail Height 150mm

Heavy Duty Profile

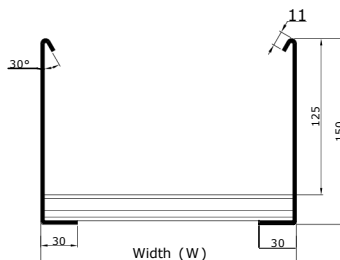


CHINNE - L5 / HD

Product Code	Width mm	Length mm
L5-100/3(T)/HG	100	3000
L5-150/3(T)/HG	150	3000
L5-225/3(T)/HG	225	3000
L5-300/3(T)/HG	300	3000
L5-450/3(T)/HG	450	3000
L5-600/3(T)/HG	600	3000
L5-750/3(T)/HG	750	3000
L5-900/3(T)/HG	900	3000
L5-1000/3(T)/HG	1000	3000

T= (Thickness), Standard Thickness 1.5 & 2.0mm
*Available in 6 mtr length on request.

Marine Profile

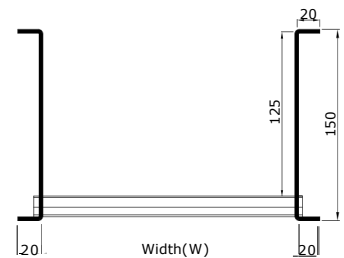


CHINNE - L5 / MP

Product Code	Width mm	Length mm
L5-100/3(T)/MHG	100	3000
L5-150/3(T)/MHG	150	3000
L5-225/3(T)/MHG	225	3000
L5-300/3(T)/MHG	300	3000
L5-450/3(T)/MHG	450	3000
L5-600/3(T)/MHG	600	3000
L5-750/3(T)/MHG	750	3000
L5-900/3(T)/MHG	900	3000
L5-1000/3(T)/MHG	1000	3000

T= (Thickness), Standard Thickness 1.5 & 2.0mm

C Profile



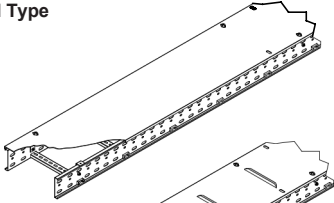
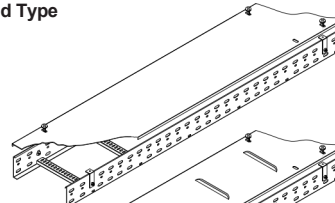
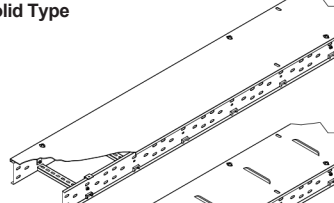
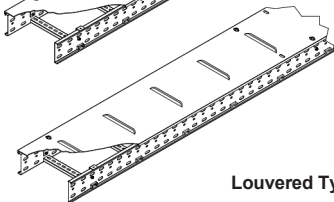
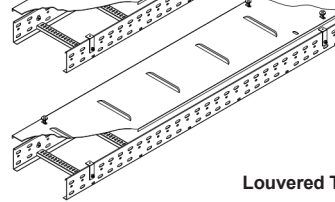
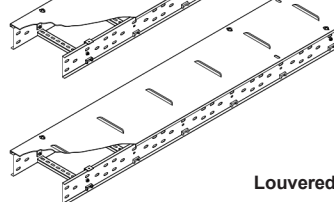
CHINNE - L5 / CP

Product Code	Width mm	Length mm
L5-100/3(T)/CHG	100	3000
L5-150/3(T)/CHG	150	3000
L5-225/3(T)/CHG	225	3000
L5-300/3(T)/CHG	300	3000
L5-450/3(T)/CHG	450	3000
L5-600/3(T)/CHG	600	3000
L5-750/3(T)/CHG	750	3000
L5-900/3(T)/CHG	900	3000
L5-1000/3(T)/CHG	1000	3000

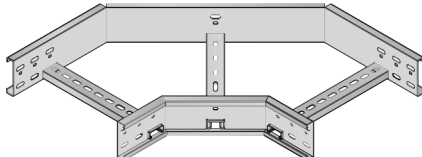
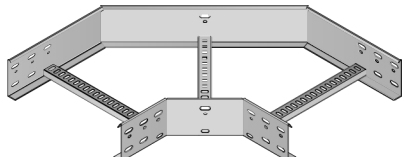
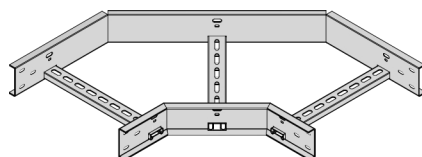
T= (Thickness), Standard Thickness 1.5 & 2.0mm

CHINNE - Ladder ACCESSORIES

Cover for Cable Ladder

Cover - Heavy Duty Profile			Cover - Marine Profile			Cover - C Profile		
Solid Type			Solid Type			Solid Type		
								
Louvered Type			Louvered Type			Louvered Type		
								
Product Code	Width mm	Thickness mm	Product Code	Width mm	Thickness mm	Product Code	Width mm	Thickness mm
LC-100/3/(T)/HG	100	1.0 - 2.0	LC-100/3/(T)/MHG	100	1.0 - 2.0	LC-100/3/(T)/CHG	100	1.0 - 2.0
LC-150/3/(T)/HG	150	1.0 - 2.0	LC-150/3/(T)/MHG	150	1.0 - 2.0	LC-150/3/(T)/CHG	150	1.0 - 2.0
LC-225/3/(T)/HG	225	1.2 - 2.0	LC-225/3/(T)/MHG	225	1.2 - 2.0	LC-225/3/(T)/CHG	225	1.2 - 2.0
LC-300/3/(T)/HG	300	1.2 - 2.0	LC-300/3/(T)/MHG	300	1.2 - 2.0	LC-300/3/(T)/CHG	300	1.2 - 2.0
LC-450/3/(T)/HG	450	1.5 - 2.0	LC-450/3/(T)/MHG	450	1.5 - 2.0	LC-450/3/(T)/CHG	450	1.5 - 2.0
LC-600/3/(T)/HG	600	1.5 - 2.0	LC-600/3/(T)/MHG	600	1.5 - 2.0	LC-600/3/(T)/CHG	600	1.5 - 2.0
LC-750/3/(T)/HG	750	1.5 - 2.0	LC-750/3/(T)/MHG	750	1.5 - 2.0	LC-750/3/(T)/CHG	750	1.5 - 2.0
LC-900/3/(T)/HG	900	2.0	LC-900/3/(T)/MHG	900	2.0	LC-900/3/(T)/CHG	900	2.0
LC-1000/3/(T)/HG	1000	2.0	LC-1000/3/(T)/MHG	1000	2.0	LC-1000/3/(T)/CHG	1000	2.0
Standard Length : 3000mm / T = Thickness			Standard Length : 3000mm / T = Thickness			Standard Length : 3000mm / T = Thickness		

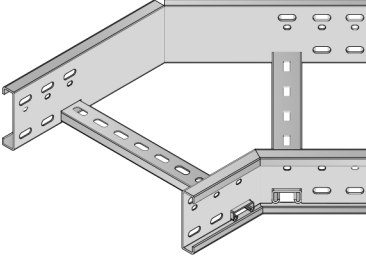
90° Flat Bends, Radius 300mm

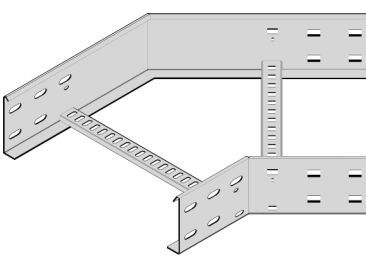
Heavy Duty Profile		Marine Profile			C Profile		
							
Product Code	Width mm	Product Code	Width mm	Length mm	Product Code	Width mm	Length mm
L(*)-FB90-100/(T)/HG	100	L(*)-100/3/(T)/MHG	100	3000	L(*)-100/3/(T)/CHG	100	3000
L(*)-FB90-150/(T)/HG	150	L(*)-150/3/(T)/MHG	150	3000	L(*)-150/3/(T)/CHG	150	3000
L(*)-FB90-225/(T)/HG	225	L(*)-225/3/(T)/MHG	225	3000	L(*)-225/3/(T)/CHG	225	3000
L(*)-FB90-300/(T)/HG	300	L(*)-300/3/(T)/MHG	300	3000	L(*)-300/3/(T)/CHG	300	3000
L(*)-FB90-450/(T)/HG	450	L(*)-450/3/(T)/MHG	450	3000	L(*)-450/3/(T)/CHG	450	3000
L(*)-FB90-600/(T)/HG	600	L(*)-600/3/(T)/MHG	600	3000	L(*)-600/3/(T)/CHG	600	3000
L(*)-FB90-750/(T)/HG	750	L(*)-750/3/(T)/MHG	750	3000	L(*)-750/3/(T)/CHG	750	3000
L(*)-FB90-900/(T)/HG	900	L(*)-900/3/(T)/MHG	900	3000	L(*)-900/3/(T)/CHG	900	3000
L(*)-FB90-1000/(T)/HG	1000	L(*)-1000/3/(T)/MHG	1000	3000	L(*)-1000/3/(T)/CHG	1000	3000
T=(Thickness), Standard Thickness 1.5 & 2.0 mm		T=(Thickness), Standard Thickness 1.5 & 2.0 mm			T=(Thickness), Standard Thickness 1.5 & 2.0 mm		
*Insert 2 for L2, 3 for L3, 4 for L4 & 5 for L5		*Insert 2 for L2, 3 for L3, 4 for L4 & 5 for L5			*Insert 2 for L2, 3 for L3, 4 for L4 & 5 for L5		

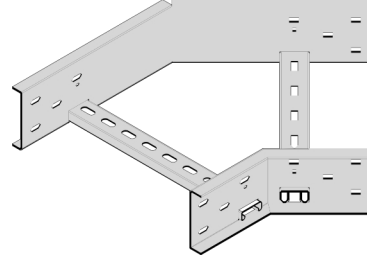
Note: Cover for all accessories are available upon request.

CHINNE - Ladder ACCESSORIES

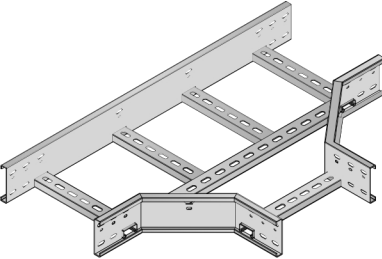
45° Flat Bends, Radius 300mm

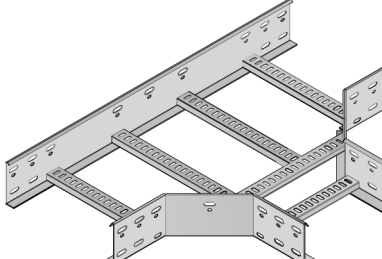
Heavy Duty Profile	
	
Product Code	Width mm
L(*)-FB45-100/(T)/HG	100
L(*)-FB45-150/(T)/HG	150
L(*)-FB45-225/(T)/HG	225
L(*)-FB45-300/(T)/HG	300
L(*)-FB45-450/(T)/HG	450
L(*)-FB45-600/(T)/HG	600
L(*)-FB45-750/(T)/HG	750
L(*)-FB45-900/(T)/HG	900
L(*)-FB45-1000/(T)/HG	1000
T=(Thickness), Standard Thickness 1.5 & 2.0 mm	
*Insert 2 for L2, 3 for L3, 4 for L4 & 5 for L5	

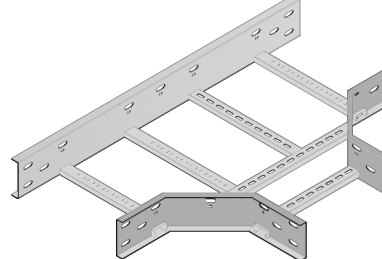
Marine Profile	
	
Product Code	Width mm
L(*)-FB45-100/(T)/MHG	100
L(*)-FB45-150/(T)/MHG	150
L(*)-FB45-225/(T)/MHG	225
L(*)-FB45-300/(T)/MHG	300
L(*)-FB45-450/(T)/MHG	450
L(*)-FB45-600/(T)/MHG	600
L(*)-FB45-750/(T)/MHG	750
L(*)-FB45-900/(T)/MHG	900
L(*)-FB45-1000/(T)/MHG	1000
T=(Thickness), Standard Thickness 1.5 & 2.0 mm	
*Insert 2 for L2, 3 for L3, 4 for L4 & 5 for L5	

C Profile	
	
Product Code	Width mm
L(*)-FB45-100/(T)/CHG	100
L(*)-FB45-150/(T)/CHG	150
L(*)-FB45-225/(T)/CHG	225
L(*)-FB45-300/(T)/CHG	300
L(*)-FB45-450/(T)/CHG	450
L(*)-FB45-600/(T)/CHG	600
L(*)-FB45-750/(T)/CHG	750
L(*)-FB45-900/(T)/CHG	900
L(*)-FB45-1000/(T)/CHG	1000
T=(Thickness), Standard Thickness 1.5 & 2.0 mm	
*Insert 2 for L2, 3 for L3, 4 for L4 & 5 for L5	

Equal Tee, Radius 300mm

Heavy Duty Profile	
	
Product Code	Width mm
L(*)-ET-100/(T)/HG	100
L(*)-ET-150/(T)/HG	150
L(*)-ET-225/(T)/HG	225
L(*)-ET-300/(T)/HG	300
L(*)-ET-450/(T)/HG	450
L(*)-ET-600/(T)/HG	600
L(*)-ET-750/(T)/HG	750
L(*)-ET-900/(T)/HG	900
L(*)-ET-1000/(T)/HG	1000
T=(Thickness), Standard Thickness 1.5 & 2.0 mm	
*Insert 2 for L2, 3 for L3, 4 for L4 & 5 for L5	

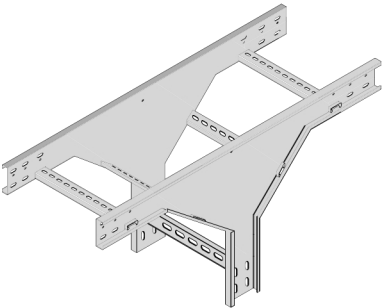
Marine Profile	
	
Product Code	Width mm
L(*)-ET-100/(T)/MHG	100
L(*)-ET-150/(T)/MHG	150
L(*)-ET-225/(T)/MHG	225
L(*)-ET-300/(T)/MHG	300
L(*)-ET-450/(T)/MHG	450
L(*)-ET-600/(T)/MHG	600
L(*)-ET-750/(T)/MHG	750
L(*)-ET-900/(T)/MHG	900
L(*)-ET-1000/(T)/MHG	1000
T=(Thickness), Standard Thickness 1.5 & 2.0 mm	
*Insert 2 for L2, 3 for L3, 4 for L4 & 5 for L5	

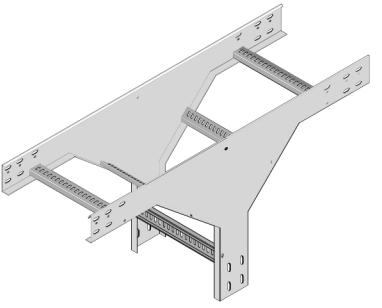
C Profile	
	
Product Code	Width mm
L(*)-ET-100/(T)/CHG	100
L(*)-ET-150/(T)/CHG	150
L(*)-ET-225/(T)/CHG	225
L(*)-ET-300/(T)/CHG	300
L(*)-ET-450/(T)/CHG	450
L(*)-ET-600/(T)/CHG	600
L(*)-ET-750/(T)/CHG	750
L(*)-ET-900/(T)/CHG	900
L(*)-ET-1000/(T)/CHG	1000
T=(Thickness), Standard Thickness 1.5 & 2.0 mm	
*Insert 2 for L2, 3 for L3, 4 for L4 & 5 for L5	

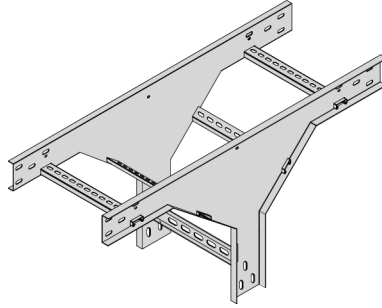
Note: Cover for all accessories are available upon request.

CHINNE - Ladder ACCESSORIES

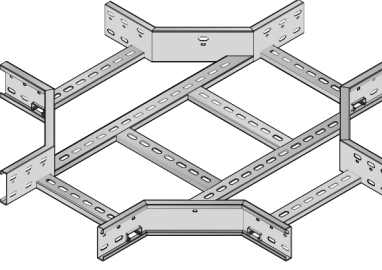
Vertical Tee

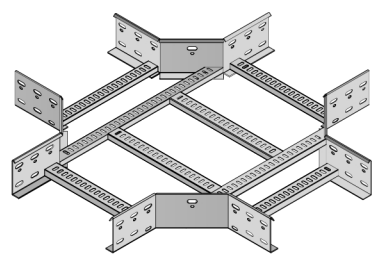
Heavy Duty Profile	
	
Product Code	Width mm
L(*)-VT-100/(T)/HG	100
L(*)-VT-150/(T)/HG	150
L(*)-VT-225/(T)/HG	225
L(*)-VT-300/(T)/HG	300
L(*)-VT-450/(T)/HG	450
L(*)-VT-600/(T)/HG	600
L(*)-VT-750/(T)/HG	750
L(*)-VT-900/(T)/HG	900
L(*)-VT-1000/(T)/HG	1000
T=(Thickness), Standard Thickness 1.5 & 2.0 mm	
*Insert 2 for L2, 3 for L3, 4 for L4 & 5 for L5	

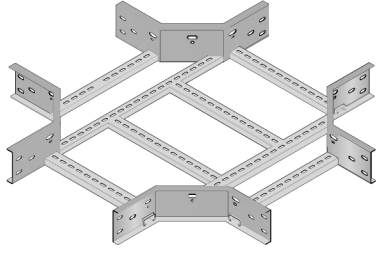
Marine Profile	
	
Product Code	Width mm
L(*)-VT-100/(T)/MHG	100
L(*)-VT-150/(T)/MHG	150
L(*)-VT-225/(T)/MHG	225
L(*)-VT-300/(T)/MHG	300
L(*)-VT-450/(T)/MHG	450
L(*)-VT-600/(T)/MHG	600
L(*)-VT-750/(T)/MHG	750
L(*)-VT-900/(T)/MHG	900
L(*)-VT-1000/(T)/MHG	1000
T=(Thickness), Standard Thickness 1.5 & 2.0 mm	
*Insert 2 for L2, 3 for L3, 4 for L4 & 5 for L5	

C Profile	
	
Product Code	Width mm
L(*)-VT-100/(T)/CHG	100
L(*)-VT-150/(T)/CHG	150
L(*)-VT-225/(T)/CHG	225
L(*)-VT-300/(T)/CHG	300
L(*)-VT-450/(T)/CHG	450
L(*)-VT-600/(T)/CHG	600
L(*)-VT-750/(T)/CHG	750
L(*)-VT-900/(T)/CHG	900
L(*)-VT-1000/(T)/CHG	1000
T=(Thickness), Standard Thickness 1.5 & 2.0 mm	
*Insert 2 for L2, 3 for L3, 4 for L4 & 5 for L5	

Equal Cross, Radius 300mm

Heavy Duty Profile	
	
Product Code	Width mm
L(*)-EC-100/(T)/HG	100
L(*)-EC-150/(T)/HG	150
L(*)-EC-225/(T)/HG	225
L(*)-EC-300/(T)/HG	300
L(*)-EC-450/(T)/HG	450
L(*)-EC-600/(T)/HG	600
L(*)-EC-750/(T)/HG	750
L(*)-EC-900/(T)/HG	900
L(*)-EC-1000/(T)/HG	1000
T=(Thickness), Standard Thickness 1.5 & 2.0 mm	
*Insert 2 for L2, 3 for L3, 4 for L4 & 5 for L5	

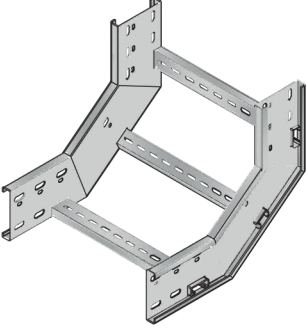
Marine Profile	
	
Product Code	Width mm
L(*)-EC-100/(T)/MHG	100
L(*)-EC-150/(T)/MHG	150
L(*)-EC-225/(T)/MHG	225
L(*)-EC-300/(T)/MHG	300
L(*)-EC-450/(T)/MHG	450
L(*)-EC-600/(T)/MHG	600
L(*)-EC-750/(T)/MHG	750
L(*)-EC-900/(T)/MHG	900
L(*)-EC-1000/(T)/MHG	1000
T=(Thickness), Standard Thickness 1.5 & 2.0 mm	
*Insert 2 for L2, 3 for L3, 4 for L4 & 5 for L5	

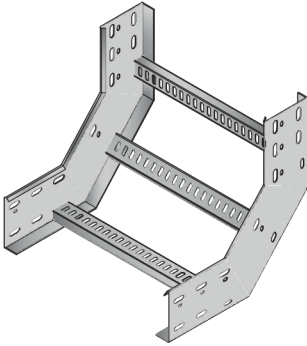
C Profile	
	
Product Code	Width mm
L(*)-EC-100/(T)/CHG	100
L(*)-EC-150/(T)/CHG	150
L(*)-EC-225/(T)/CHG	225
L(*)-EC-300/(T)/CHG	300
L(*)-EC-450/(T)/CHG	450
L(*)-EC-600/(T)/CHG	600
L(*)-EC-750/(T)/CHG	750
L(*)-EC-900/(T)/CHG	900
L(*)-EC-1000/(T)/CHG	1000
T=(Thickness), Standard Thickness 1.5 & 2.0 mm	
*Insert 2 for L2, 3 for L3, 4 for L4 & 5 for L5	

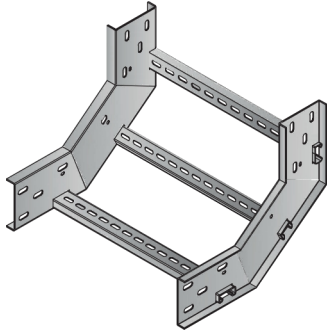
Note: Cover for all accessories are available upon request.

CHINNE - Ladder ACCESSORIES

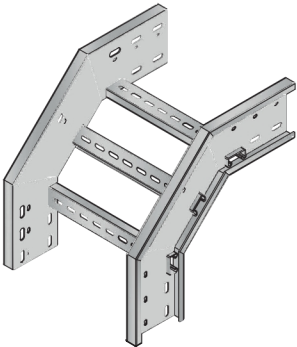
Inside Riser 90°, Radius 300mm

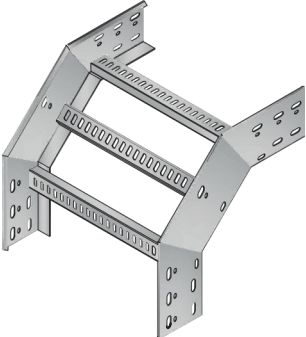
Heavy Duty Profile	
	
Product Code	Width mm
L(*)-IR90-100/(T)/HG	100
L(*)-IR90-150/(T)/HG	150
L(*)-IR90-225/(T)/HG	225
L(*)-IR90-300/(T)/HG	300
L(*)-IR90-450/(T)/HG	450
L(*)-IR90-600/(T)/HG	600
L(*)-IR90-750/(T)/HG	750
L(*)-IR90-900/(T)/HG	900
L(*)-IR90-1000/(T)/HG	1000
T=(Thickness), Standard Thickness 1.5 & 2.0 mm	
*Insert 2 for L2, 3 for L3, 4 for L4 & 5 for L5	

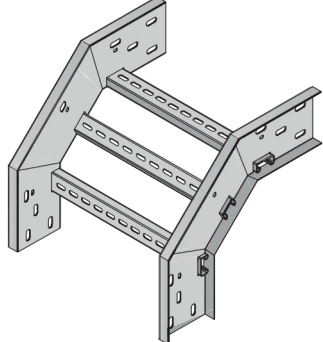
Marine Profile	
	
Product Code	Width mm
L(*)-IR90-100/(T)/MHG	100
L(*)-IR90-150/(T)/MHG	150
L(*)-IR90-225/(T)/MHG	225
L(*)-IR90-300/(T)/MHG	300
L(*)-IR90-450/(T)/MHG	450
L(*)-IR90-600/(T)/MHG	600
L(*)-IR90-750/(T)/MHG	750
L(*)-IR90-900/(T)/MHG	900
L(*)-IR90-1000/(T)/MHG	1000
T=(Thickness), Standard Thickness 1.5 & 2.0 mm	
*Insert 2 for L2, 3 for L3, 4 for L4 & 5 for L5	

C Profile	
	
Product Code	Width mm
L(*)-IR90-100/(T)/CHG	100
L(*)-IR90-150/(T)/CHG	150
L(*)-IR90-225/(T)/CHG	225
L(*)-IR90-300/(T)/CHG	300
L(*)-IR90-450/(T)/CHG	450
L(*)-IR90-600/(T)/CHG	600
L(*)-IR90-750/(T)/CHG	750
L(*)-IR90-900/(T)/CHG	900
L(*)-IR90-1000/(T)/CHG	1000
T=(Thickness), Standard Thickness 1.5 & 2.0 mm	
*Insert 2 for L2, 3 for L3, 4 for L4 & 5 for L5	

Outside Riser 90°, Radius 300mm

Heavy Duty Profile	
	
Product Code	Width mm
L(*)-OR90-100/(T)/HG	100
L(*)-OR90-150/(T)/HG	150
L(*)-OR90-225/(T)/HG	225
L(*)-OR90-300/(T)/HG	300
L(*)-OR90-450/(T)/HG	450
L(*)-OR90-600/(T)/HG	600
L(*)-OR90-750/(T)/HG	750
L(*)-OR90-900/(T)/HG	900
L(*)-OR90-1000/(T)/HG	1000
T=(Thickness), Standard Thickness 1.5 & 2.0 mm	
*Insert 2 for L2, 3 for L3, 4 for L4 & 5 for L5	

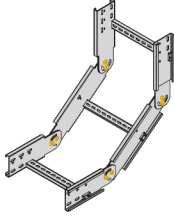
Marine Profile	
	
Product Code	Width mm
L(*)-OR90-100/(T)/MHG	100
L(*)-OR90-150/(T)/MHG	150
L(*)-OR90-225/(T)/MHG	225
L(*)-OR90-300/(T)/MHG	300
L(*)-OR90-450/(T)/MHG	450
L(*)-OR90-600/(T)/MHG	600
L(*)-OR90-750/(T)/MHG	750
L(*)-OR90-900/(T)/MHG	900
L(*)-OR90-1000/(T)/MHG	1000
T=(Thickness), Standard Thickness 1.5 & 2.0 mm	
*Insert 2 for L2, 3 for L3, 4 for L4 & 5 for L5	

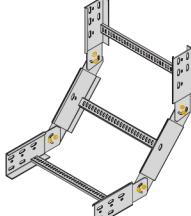
C Profile	
	
Product Code	Width mm
L(*)-OR90-100/(T)/CHG	100
L(*)-OR90-150/(T)/CHG	150
L(*)-OR90-225/(T)/CHG	225
L(*)-OR90-300/(T)/CHG	300
L(*)-OR90-450/(T)/CHG	450
L(*)-OR90-600/(T)/CHG	600
L(*)-OR90-750/(T)/CHG	750
L(*)-OR90-900/(T)/CHG	900
L(*)-OR90-1000/(T)/CHG	1000
T=(Thickness), Standard Thickness 1.5 & 2.0 mm	
*Insert 2 for L2, 3 for L3, 4 for L4 & 5 for L5	

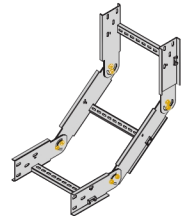
Note: Cover for all accessories are available upon request.

CHINNE - Ladder ACCESSORIES

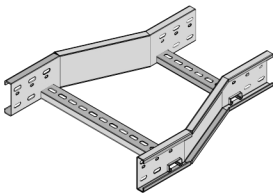
Flexible / Adjustable Riser (Inside / Outside)

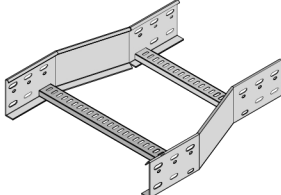
Heavy Duty Profile	
	
Product Code	Width mm
L(*)-AR-100/(T)/HG	100
L(*)-AR-150/(T)/HG	150
L(*)-AR-225/(T)/HG	225
L(*)-AR-300/(T)/HG	300
L(*)-AR-450/(T)/HG	450
L(*)-AR-600/(T)/HG	600
L(*)-AR-750/(T)/HG	750
L(*)-AR-900/(T)/HG	900
L(*)-AR-1000/(T)/HG	1000
T=(Thickness), Standard Thickness 1.5 & 2.0 mm	
*Insert 2 for L2, 3 for L3, 4 for L4 & 5 for L5	

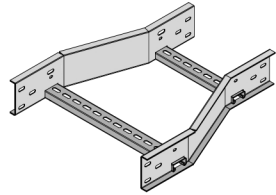
Marine Profile	
	
Product Code	Width mm
L(*)-AR-100/(T)/MHG	100
L(*)-AR-150/(T)/MHG	150
L(*)-AR-225/(T)/MHG	225
L(*)-AR-300/(T)/MHG	300
L(*)-AR-450/(T)/MHG	450
L(*)-AR-600/(T)/MHG	600
L(*)-AR-750/(T)/MHG	750
L(*)-AR-900/(T)/MHG	900
L(*)-AR-1000/(T)/MHG	1000
T=(Thickness), Standard Thickness 1.5 & 2.0 mm	
*Insert 2 for L2, 3 for L3, 4 for L4 & 5 for L5	

C Profile	
	
Product Code	Width mm
L(*)-AR-100/(T)/CHG	100
L(*)-AR-150/(T)/CHG	150
L(*)-AR-225/(T)/CHG	225
L(*)-AR-300/(T)/CHG	300
L(*)-AR-450/(T)/CHG	450
L(*)-AR-600/(T)/CHG	600
L(*)-AR-750/(T)/CHG	750
L(*)-AR-900/(T)/CHG	900
L(*)-AR-1000/(T)/CHG	1000
T=(Thickness), Standard Thickness 1.5 & 2.0 mm	
*Insert 2 for L2, 3 for L3, 4 for L4 & 5 for L5	

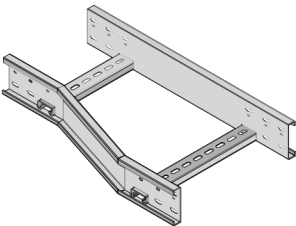
Straight Reducer

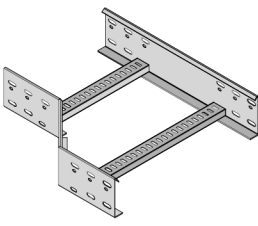
Heavy Duty Profile	
	
Product Code	Width mm
L(*)-SR(W1)-(W2)/(T)/HG	
T=(Thickness), Standard Thickness 1.5 & 2.0 mm	
*Insert 2 for L2, 3 for L3, 4 for L4 & 5 for L5	

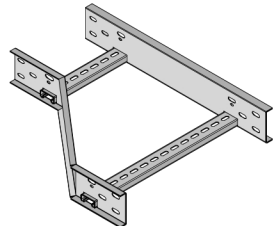
Marine Profile	
	
Product Code	Width mm
L(*)-SR(W1)-(W2)/(T)/MHG	
T=(Thickness), Standard Thickness 1.5 & 2.0 mm	
*Insert 2 for L2, 3 for L3, 4 for L4 & 5 for L5	

C Profile	
	
Product Code	Width mm
L(*)-SR(W1)-(W2)/(T)/CHG	
T=(Thickness), Standard Thickness 1.5 & 2.0 mm	
*Insert 2 for L2, 3 for L3, 4 for L4 & 5 for L5	

Left Hand Reducer

Heavy Duty Profile	
	
Product Code	Width mm
L(*)-LR(W1)-(W2)/(T)/HG	
T=(Thickness), Standard Thickness 1.5 & 2.0 mm	
*Insert 2 for L2, 3 for L3, 4 for L4 & 5 for L5	

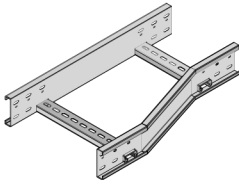
Marine Profile	
	
Product Code	Width mm
L(*)-LR(W1)-(W2)/(T)/MHG	
T=(Thickness), Standard Thickness 1.5 & 2.0 mm	
*Insert 2 for L2, 3 for L3, 4 for L4 & 5 for L5	

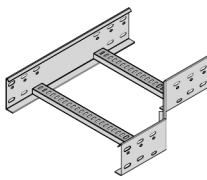
C Profile	
	
Product Code	Width mm
L(*)-LR(W1)-(W2)/(T)/CHG	
T=(Thickness), Standard Thickness 1.5 & 2.0 mm	
*Insert 2 for L2, 3 for L3, 4 for L4 & 5 for L5	

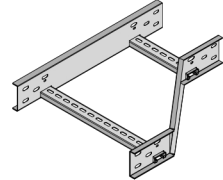
Note: Cover for all accessories are available upon request.

CHINNE - Ladder ACCESSORIES

Right Hand Reducer

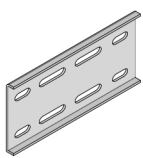
Heavy Duty Profile

Product Code
L(*)-RR(W1)-(W2)/(T)/HG
T=(Thickness), Standard Thickness 1.5 & 2.0 mm
*Insert 2 for L2, 3 for L3, 4 for L4 & 5 for L5

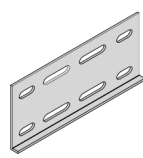
Marine Profile

Product Code
L(*)-RR(W1)-(W2)/(T)/MHG
T=(Thickness), Standard Thickness 1.5 & 2.0 mm
*Insert 2 for L2, 3 for L3, 4 for L4 & 5 for L5

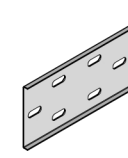
C Profile

Product Code
L(*)-RR(W1)-(W2)/(T)/CHG
T=(Thickness), Standard Thickness 1.5 & 2.0 mm
*Insert 2 for L2, 3 for L3, 4 for L4 & 5 for L5

Note: Cover for all accessories are available upon request.

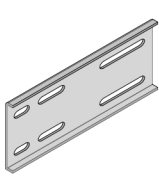
Splice Plate Coupler

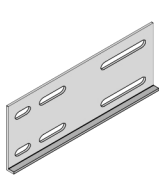
Heavy Duty Profile

Product Code
L(*)-SP/HG
*Insert 2 for L2, 3 for L3, 4 for L4 & 5 for L5

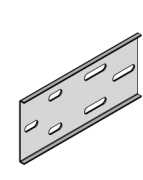
Marine Profile

Product Code
L(*)-SP/MHG
*Insert 2 for L2, 3 for L3, 4 for L4 & 5 for L5

C Profile

Product Code
L(*)-SP/CHG
*Insert 2 for L2, 3 for L3, 4 for L4 & 5 for L5

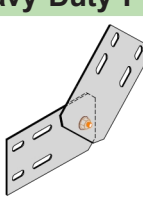
Expansion Coupler

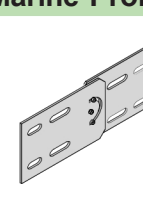
Heavy Duty Profile

Product Code
L(*)-EC/HG
*Insert 2 for L2, 3 for L3, 4 for L4 & 5 for L5

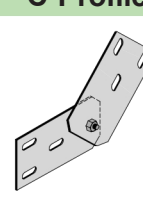
Marine Profile

Product Code
L(*)-EC/MHG
*Insert 2 for L2, 3 for L3, 4 for L4 & 5 for L5

C Profile

Product Code
L(*)-EC/CHG
*Insert 2 for L2, 3 for L3, 4 for L4 & 5 for L5

Vertical Adjustable Coupler

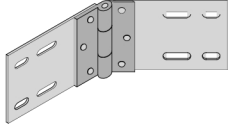
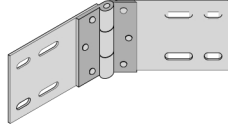
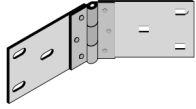
Heavy Duty Profile

Product Code
L(*)-VSP/HG
*Insert 2 for L2, 3 for L3, 4 for L4 & 5 for L5

Marine Profile

Product Code
L(*)-VSP/MHG
*Insert 2 for L2, 3 for L3, 4 for L4 & 5 for L5

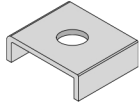
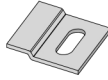
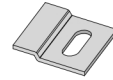
C Profile

Product Code
L(*)-VSP/CHG
*Insert 2 for L2, 3 for L3, 4 for L4 & 5 for L5

CHINNE - Ladder ACCESSORIES

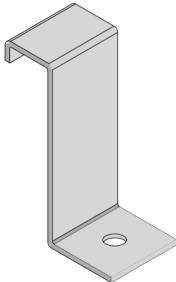
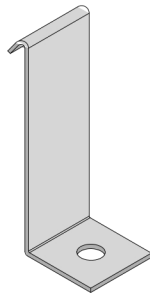
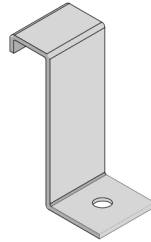
Horizontal Adjustable Coupler

Heavy Duty Profile	Marine Profile	C Profile
		
Product Code	Product Code	Product Code
L(*)-HSP/HG	L(*)-HSP/MHG	L(*)-HSP/CHG
*Insert 2 for L2, 3 for L3, 4 for L4 & 5 for L5	*Insert 2 for L2, 3 for L3, 4 for L4 & 5 for L5	*Insert 2 for L2, 3 for L3, 4 for L4 & 5 for L5

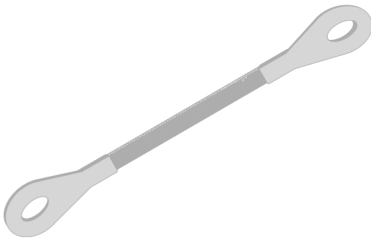
Hold Down Clamp

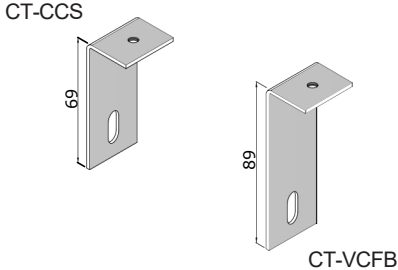
Heavy Duty Profile	Marine Profile	C Profile
		
Product Code	Product Code	Product Code
L-HDC/HG	L(*)-HDC/MHG	L(*)-HDC/CHG
Universal for L2, L3, L4 & L5 Ladders. Hardware: Hex Head Bolt M10x30 c/w Spring Nut, Flat Washer	Universal for L2, L3, L4 & L5 Ladders. Hardware: Hex Head Bolt M10x30 c/w Spring Nut, Flat Washer	Universal for L2, L3, L4 & L5 Ladders. Hardware: Hex Head Bolt M10x30 c/w Spring Nut, Flat Washer

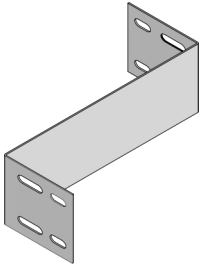
Hold Down Bracket

Heavy Duty Profile	Marine Profile	C Profile
		
Product Code	Product Code	Product Code
L(*)-HDB/HG	L(*)-HDB/MHG	L(*)-HDB/CHG
*Insert 2 for L2, 3 for L3, 4 for L4 & 5 for L5 Hardware: Hex Head Bolt M10x30 c/w Spring Nut, Flat Washer	*Insert 2 for L2, 3 for L3, 4 for L4 & 5 for L5 Hardware: Hex Head Bolt M10x30 c/w Spring Nut, Flat Washer	*Insert 2 for L2, 3 for L3, 4 for L4 & 5 for L5 Hardware: Hex Head Bolt M10x30 c/w Spring Nut, Flat Washer

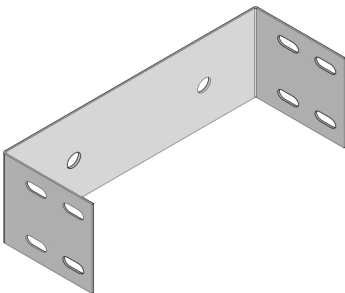
CHINNE - Ladder ACCESSORIES

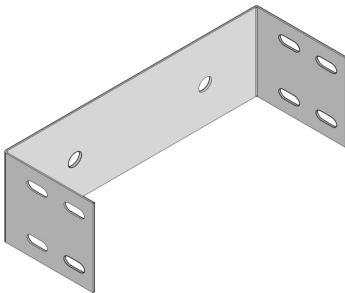
Earth Braid for Cable Ladder

Product Code
EB-300: Earth Braid 10mm ² x 300mm x 10mm End Lugs
EB-210/HD: Earth Braid 16mm ² x 210mm x 10mm End Lugs

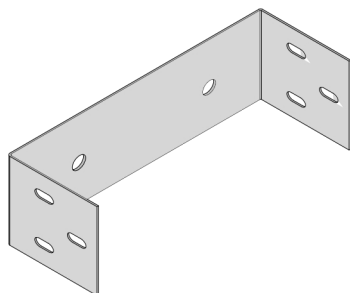
Cover Clip for Cover

Product Code
CT-CCS: Closed Cover Clip for Cover
CT-VCFB: Ventilated Cover Clip for Cover

Cranked Coupler

Product Code
L(*)-CRC(W1)-(W2)/HG
*Insert 2 for L2, 3 for L3, 4 for L4 & 5 for L5 / (W1) = Width 1 / (W2) = Width 2

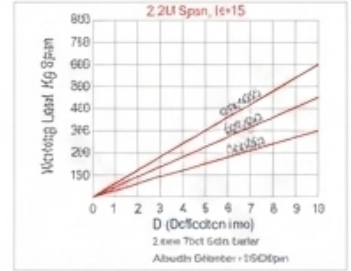
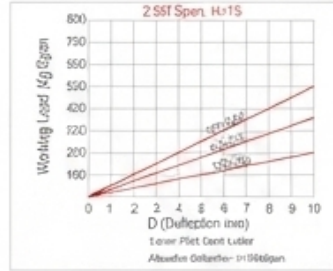
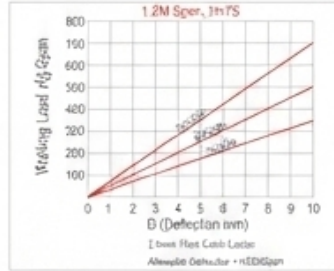
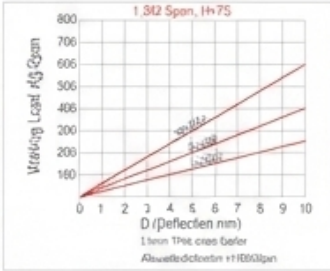
Blank End for Cable Ladder

Heavy Duty Profile	
	
Product Code	Width mm
L(*)-BE-100/(T)/HG	100
L(*)-BE-150/(T)/HG	150
L(*)-BE-225/(T)/HG	225
L(*)-BE-300/(T)/HG	300
L(*)-BE-450/(T)/HG	450
L(*)-BE-600/(T)/HG	600
L(*)-BE-750/(T)/HG	750
L(*)-BE-900/(T)/HG	900
L(*)-BE-1000/(T)/HG	1000
T=(Thickness), Standard Thickness 1.5 & 2.0mm *Insert 2 for L2, 3 for L3, 4 for L4 & 5 for L5	

Marine Profile	
	
Product Code	Width mm
L(*)-BE-100/(T)/MHG	100
L(*)-BE-150/(T)/MHG	150
L(*)-BE-225/(T)/MHG	225
L(*)-BE-300/(T)/MHG	300
L(*)-BE-450/(T)/MHG	450
L(*)-BE-600/(T)/MHG	600
L(*)-BE-750/(T)/MHG	750
L(*)-BE-900/(T)/MHG	900
L(*)-BE-1000/(T)/MHG	1000
T=(Thickness), Standard Thickness 1.5 & 2.0mm *Insert 2 for L2, 3 for L3, 4 for L4 & 5 for L5	

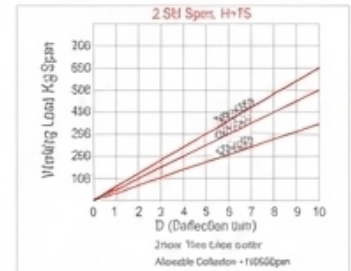
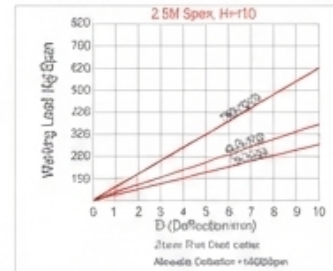
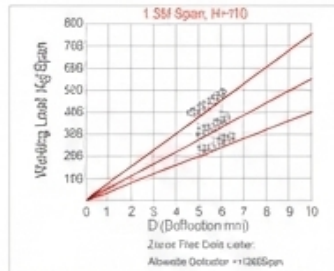
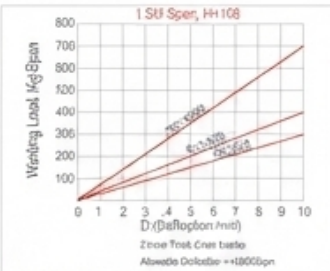
C Profile	
	
Product Code	Width mm
L(*)-BE-100/(T)/CHG	100
L(*)-BE-150/(T)/CHG	150
L(*)-BE-225/(T)/CHG	225
L(*)-BE-300/(T)/CHG	300
L(*)-BE-450/(T)/CHG	450
L(*)-BE-600/(T)/CHG	600
L(*)-BE90-750/(T)/CHG	750
L(*)-BE-900/(T)/CHG	900
L(*)-BE-1000/(T)/CHG	1000
T=(Thickness), Standard Thickness 1.5 & 2.0mm *Insert 2 for L2, 3 for L3, 4 for L4 & 5 for L5	

CHINNE-L2 Ladder (50mm Load Depth)



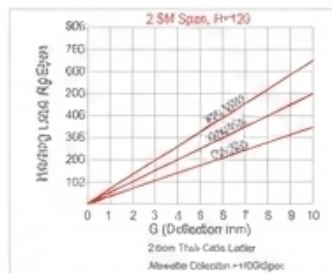
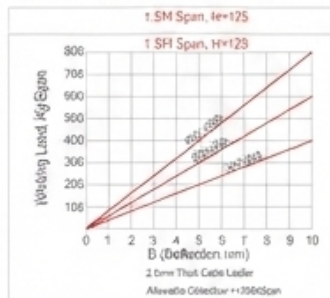
Load table loads are based on a UNIFORMLY DISTRIBUTED LOAD (UDL) across the full width and length of the Ladder.
All loads are based on Mild Steel Ladders.
Load curve is shown based on deflection of less than 10mm.

CHINNE-L3 Ladder (75mm Load Depth)



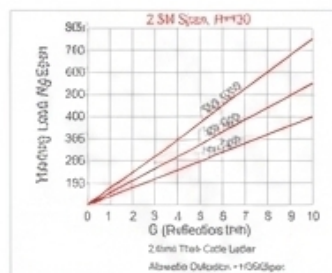
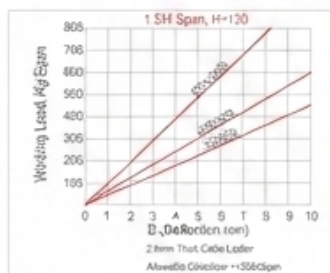
Load table loads are based on a UNIFORMLY DISTRIBUTED LOAD (UDL) across the full width and length of the Ladder.
All loads are based on Mild Steel Ladders.
Load curve is shown based on deflection of less than 10mm.

CHINNE-L4 Ladder (100mm Load Depth)



Load table loads are based on a UNIFORMLY DISTRIBUTED LOAD (UDL) across the full width and length of the Ladder.
Load curve is shown based on deflection of less than 10mm.

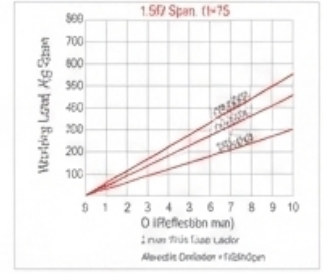
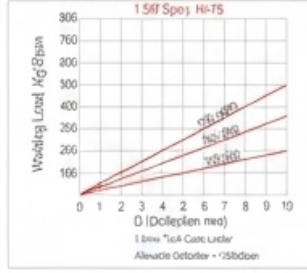
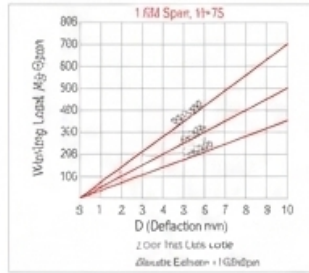
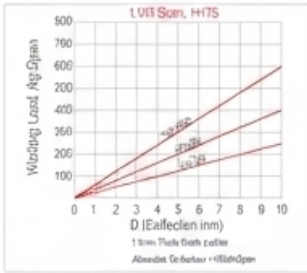
CHINNE-L5 Ladder (125mm Load Depth)



Load table loads are based on a UNIFORMLY DISTRIBUTED LOAD (UDL) across the full width and length of the Ladder.
All loads are based on Mild Steel Ladders.
Load curve is shown based on deflection of less than 10mm.

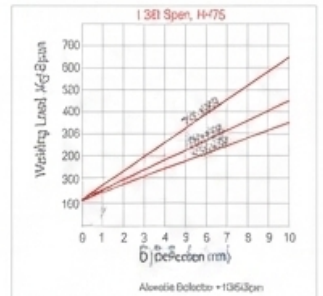
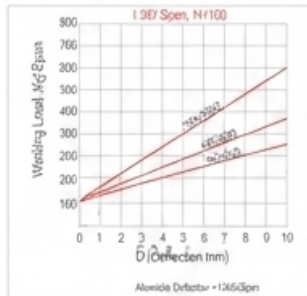
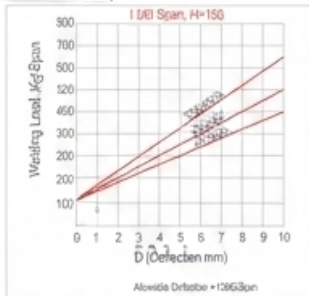
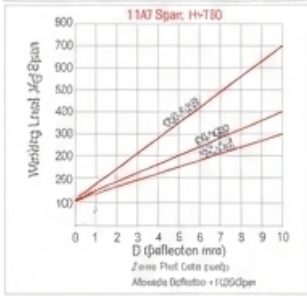
CHINNE - (Marine Profile / C - Profile) Ladder Load Tables

CHINNE-L2/MP Ladder (50mm Load Depth)



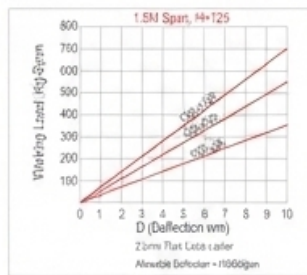
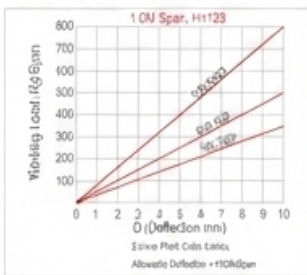
Load table loads are based on a UNIFORMLY DISTRIBUTED LOAD (UDL) across the full width and length of the Ladder.
 All loads are based on Mild Steel Ladders.
 Load curve is shown based on deflection of less than 10mm.

CHINNE-L3/MP Ladder (75mm Load Depth)



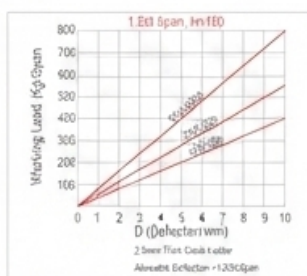
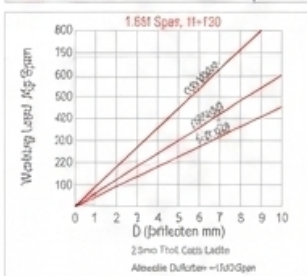
Load table loads are based on a UNIFORMLY DISTRIBUTED LOAD (UDL) across the full width and length of the Ladder.
 All loads are based on Mild Steel Ladders.
 Load curve is shown based on deflection of less than 10mm.

CHINNE-L4/MP Ladder (100mm Load Depth)



Load table loads are based on a UNIFORMLY DISTRIBUTED LOAD (UDL) across the full width and length of the Ladder.
 All loads are based on Mild Steel Ladders.
 Load curve is shown based on deflection of less than 10mm.

CHINNE-L5/MP Ladder (125mm Load Depth)



Load table loads are based on a UNIFORMLY DISTRIBUTED LOAD (UDL) across the full width and length of the Ladder.
 All loads are based on Mild Steel Ladders.
 Load curve is shown based on deflection of less than 10mm.

CHINNE-Ladder Cable Ladder System

Material & Finishes

- Pre-Galvanized zinc coated steel JIS G3302 equivalent to BS EN 10142, (BS EN 10142 supersedes BS2989) ASTMA653.
- Pre-Galvanized zinc coated steel JIS G3302 equivalent to BS EN 10142. ASTMA653 with Epoxy Powder Coating with minimum film thickness 45 microns after fabrication.
- Hot dip galvanized with using Hot Rolled Steel to BS 10149-3: 1996, Cold Rolled Steel to BSEN 10130:2006 then post galvanizing as per BS EN 1461 (Formerly BS729), ASTM-A123.
- Stainless Steel Sheet toASTMA240 type 304, 316L.
- Aluminum Grade AA1100.

Load Criteria

To provide a better selection for appropriate cable ladder for a particular installation it is necessary to consider the loads which must be supported and the distance between span support. These Loads are broadly classified as dead loads,imposed load and points load.

Dead Loads

Dead loads include the weight of any cables,pipes and secondary equipment carried on or installed on the cable ladder plus the self weight of the cable ladder and any component of the cable ladder (covers,connectors,accessories etc.)

Weight data for cables is readily available from the cable manufacture or supplier and is usually quoted in terms of kilograms per metre(kg/m).

The weight per metre from the cables(or pipes,etc) is the sum of the individual cable (or pipe, etc) weights.

Weight data for secondary equipment should also be readily available from the equipment manufacturer or supplier and is usually quoted in terms of kilograms(kg). The unit weight for the secondary equipment can be converted into a equivalent weight per metre by using the following formula

$$W_m, \text{weight per metre} = \frac{2 \times \text{unit of equivalent (kg)}}{\text{Span (mtr.)}}$$

Example:

A secondary item of equipment with a weight of 24 kg has a equivalent W_m-weight per metre of 16 kg/m for a span of 3 metre. This figure should be added to the sum of the individual cable weights (or pipe,etc.).

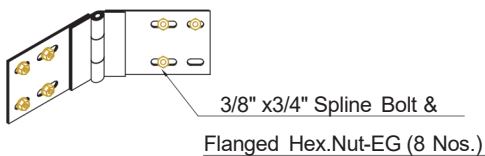
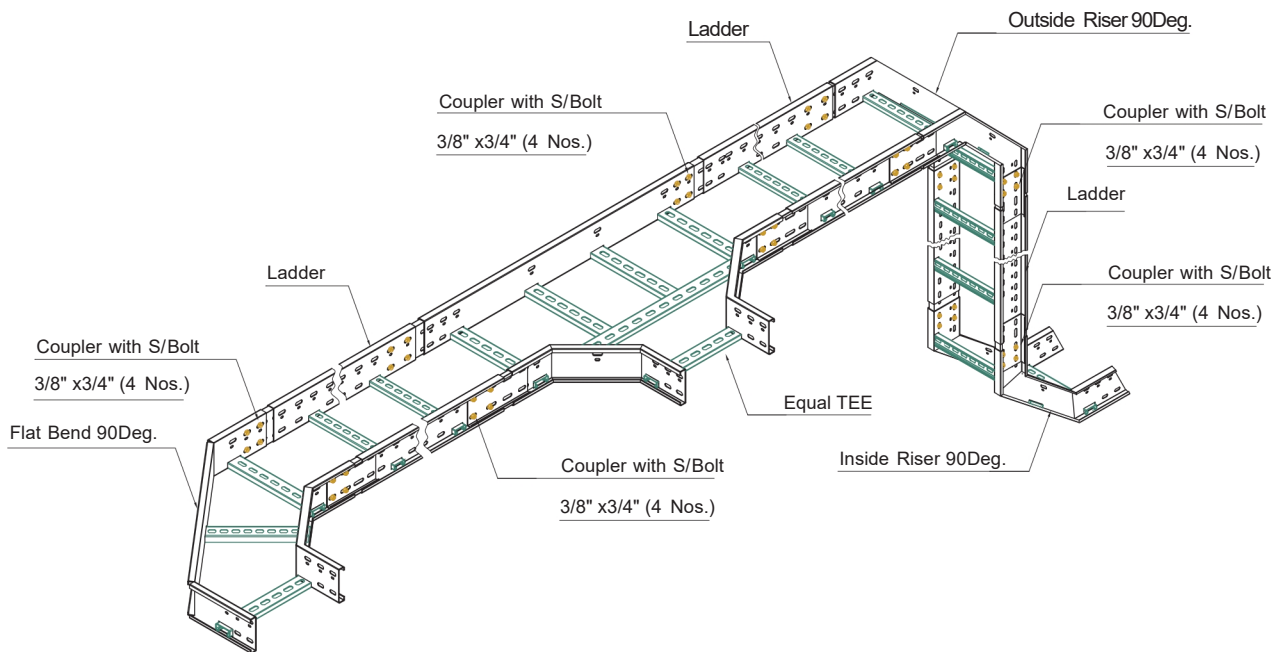
Imposed Loads

The effect of the imposed loads will vary from one installation to another and further advice relating to the specific influence of each should be sought at the design stage. Imposed loads include wind, ice and snow. The following information on imposed loads is given as a general guide only.

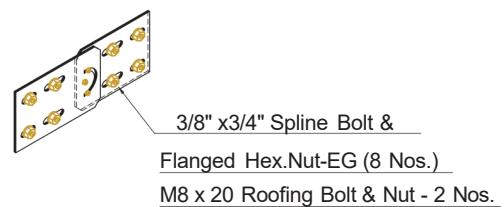
Points Loads

Points loads are often applied to the cable ladder during installation,cable pulling and in-service inspection. An allowance can be made for influence of point loads at the design stage when determining the total load to be carried by the cable ladder system. Typical point are in order of 75 kg to 150 kg. When specifying a point load requirement it should be kept to a minimum as incorporating the point load will reduce the allowable cable load for the cable ladder.

General Arrangement Drawing of Cable Ladder System



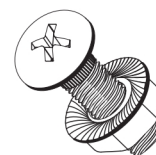
Horizontal Splice Plate-HSP



Vertical Splice Plate -VSP



Splice Plate Coupler



Spline Bolt 3/8"X3/4" & Flanged Hex. Nut-EG